

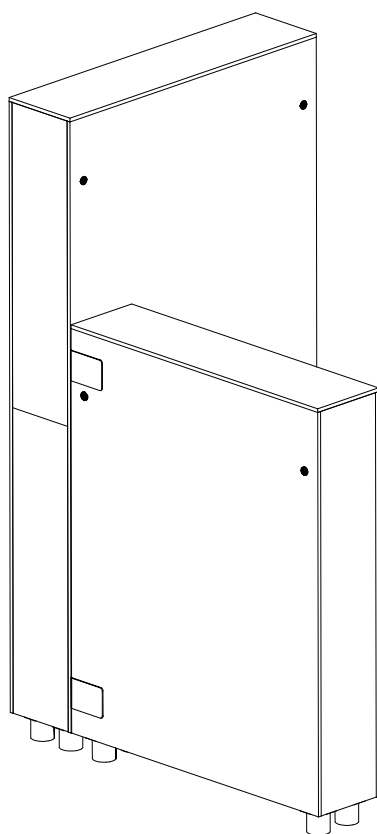
LAPPSET®

PARKOUR


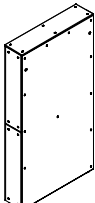
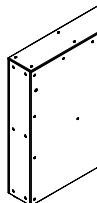

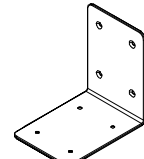
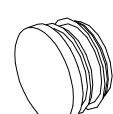
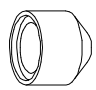
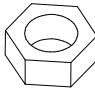
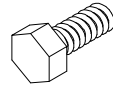
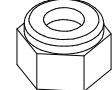



A SENNUSOHJE
MONTERINGSANSVISNING
INSTALLATION INSTRUCTION
AUFBAUANLEITUNG
NOTICE D'INSTALLATION

DATE: 6.2.2013

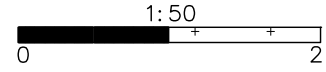
220568



DATE: 6.2.2013

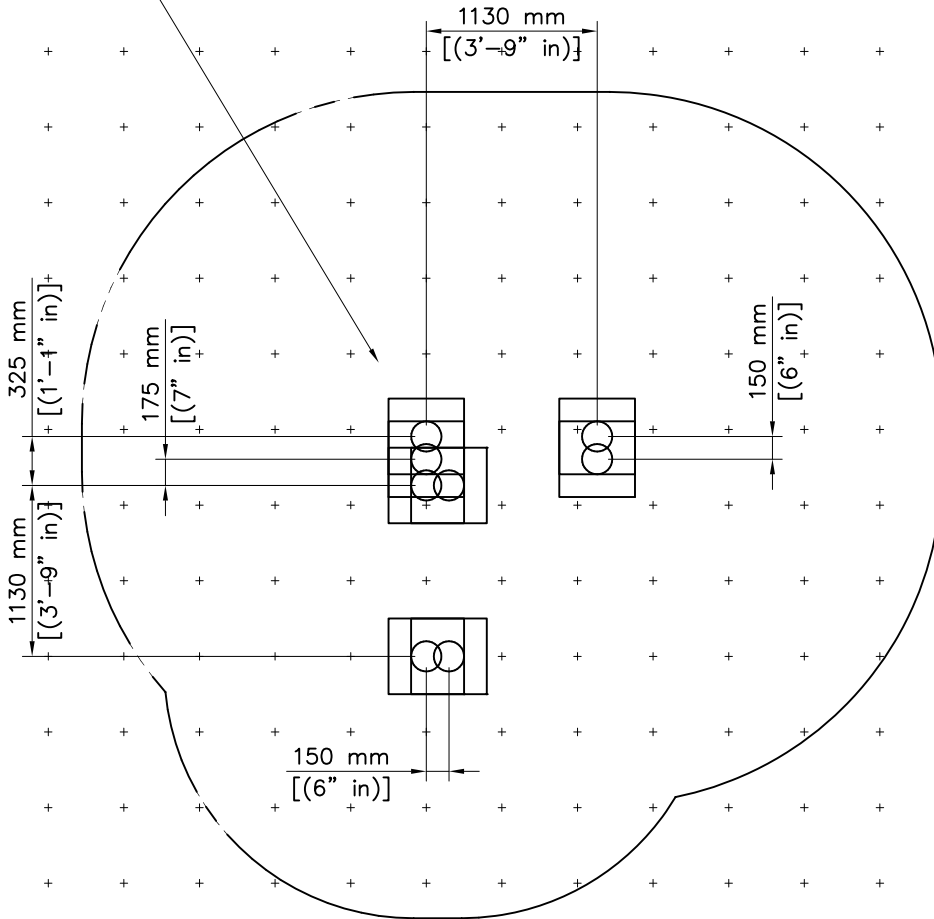
<p>702341</p>  <p>90x50</p>	<p>PCS</p> <p>1</p>	<p>703909</p>  <p>320x1300x2440</p>	<p>PCS</p> <p>1</p>	<p>703917</p>  <p>320x1300x1620</p>	<p>PCS</p> <p>1</p>	<p>903112</p>  <p>750</p>	<p>PCS</p> <p>8</p>	<p>904429</p>  <p>4x130x140x140</p>	<p>PCS</p> <p>2</p>	<p>905067</p>  <p>S35H</p>	<p>PCS</p> <p>8</p>
<p>905104</p>  <p>M10</p>	<p>PCS</p> <p>64</p>	<p>909637</p>  <p>M10</p>	<p>PCS</p> <p>16</p>	<p>909639</p>  <p>M10x25</p>	<p>PCS</p> <p>16</p>	<p>909858</p>  <p>M20</p>	<p>PCS</p> <p>4</p>	<p>909859</p>  <p>Ø37/21</p>	<p>PCS</p> <p>4</p>	<p>909860</p>  <p>M20x50</p>	<p>PCS</p> <p>2</p>
<p>980105</p>  <p>Ø5x120</p>	<p>PCS</p> <p>16</p>		<p>PCS</p>		<p>PCS</p>		<p>PCS</p>		<p>PCS</p>		<p>PCS</p>
	<p>PCS</p>		<p>PCS</p>		<p>PCS</p>		<p>PCS</p>		<p>PCS</p>		<p>PCS</p>
	<p>PCS</p>		<p>PCS</p>		<p>PCS</p>		<p>PCS</p>		<p>PCS</p>		<p>PCS</p>
	<p>PCS</p>		<p>PCS</p>		<p>PCS</p>		<p>PCS</p>		<p>PCS</p>		<p>PCS</p>

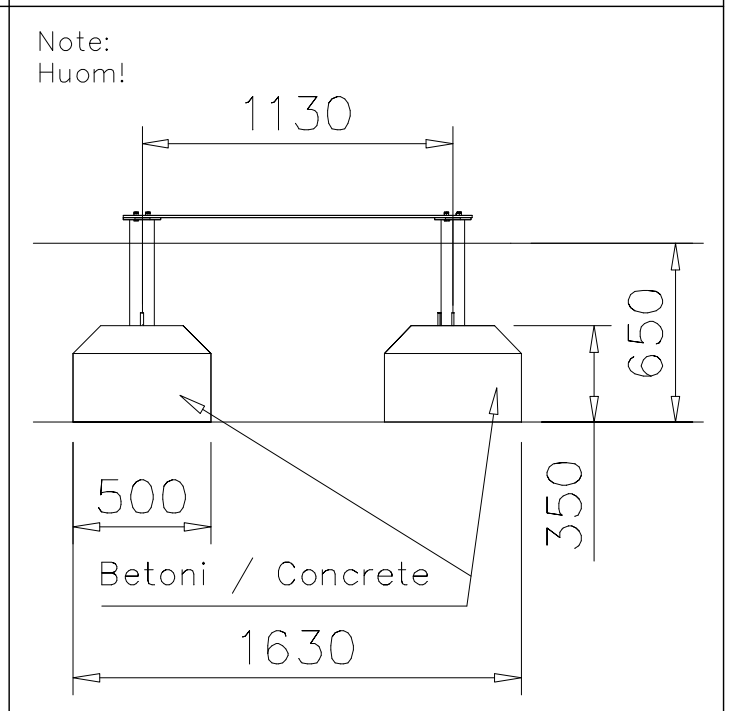
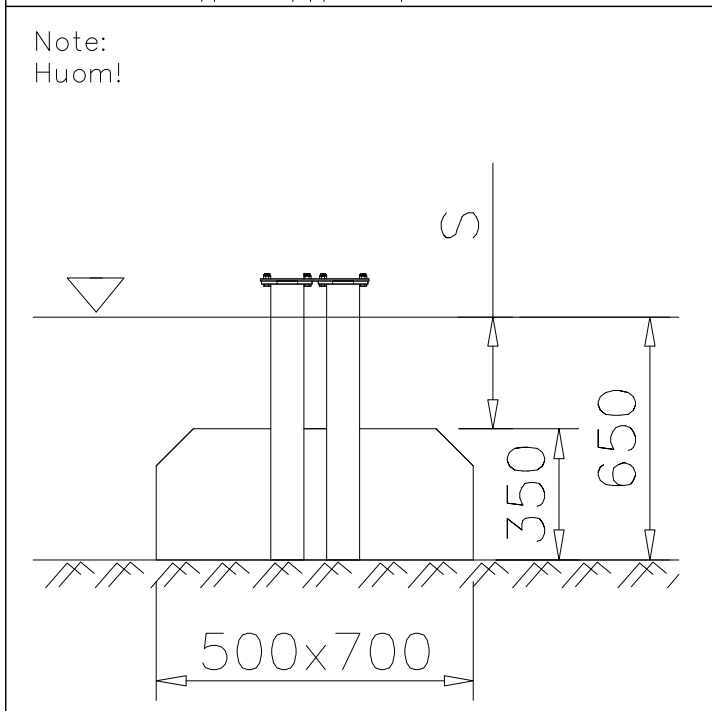
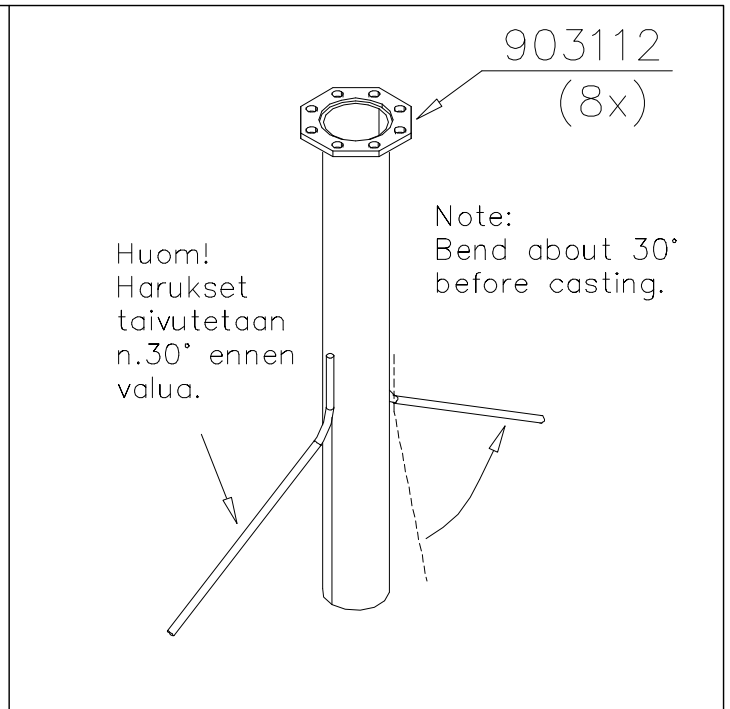
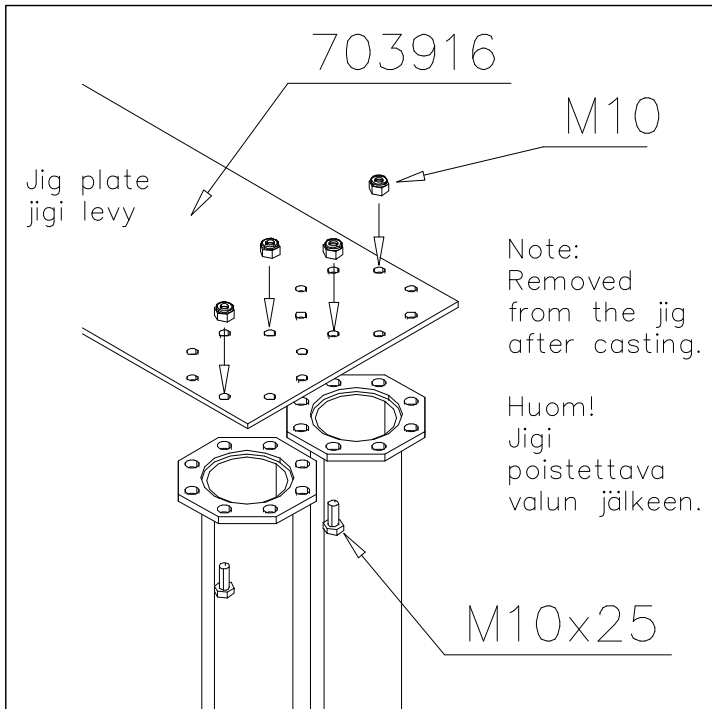
- EN Impact Area 24.7 m² (258 sq ft)
- - - Falling Space 24.7 m² (258 sq ft)
- + + Grid size = 500 mm. (20" in)



Note:
 Casting 905112
 (4x) together.

Huom!
 Valussa yhteen
 905112 (4x).

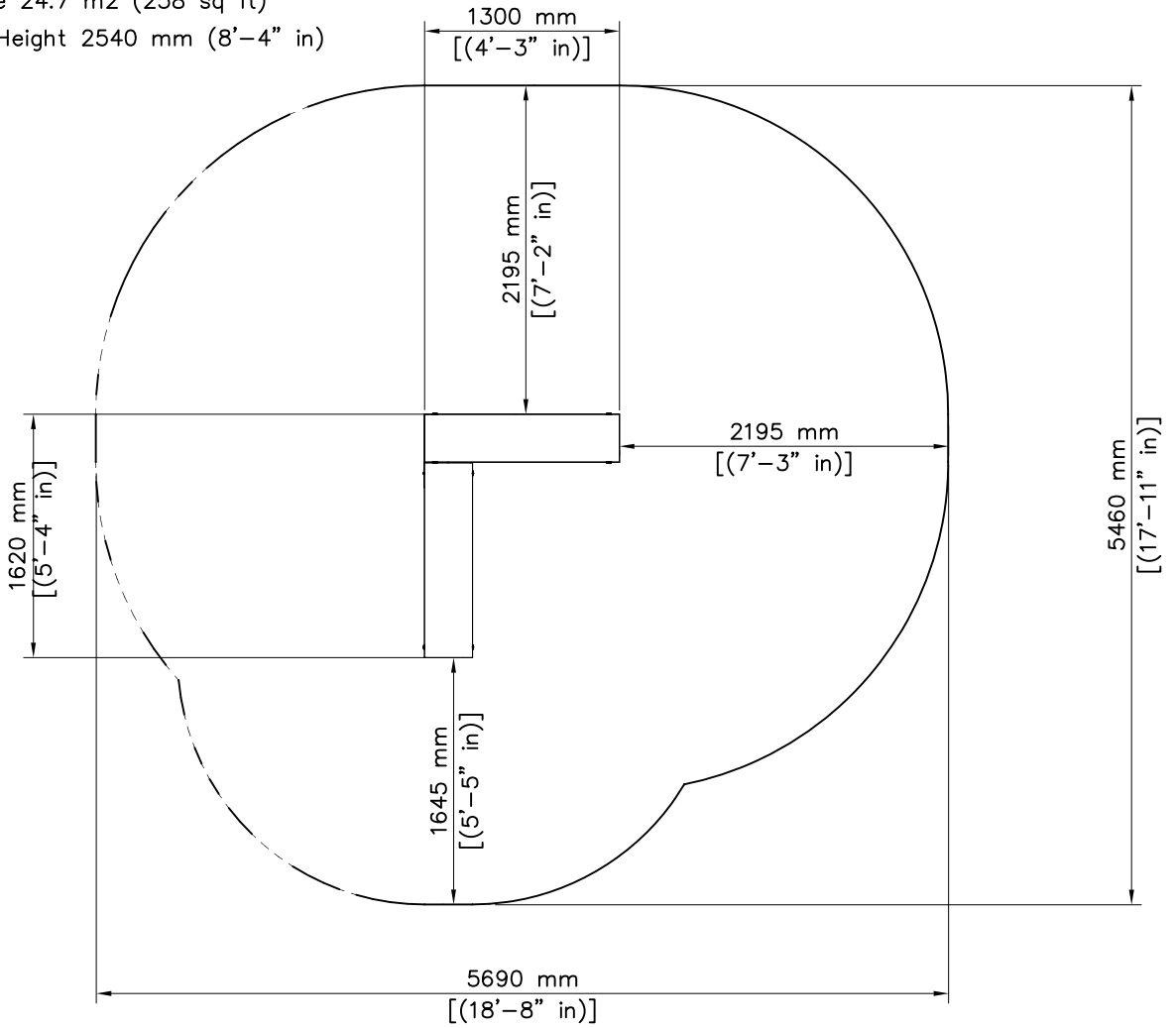
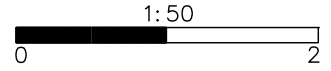


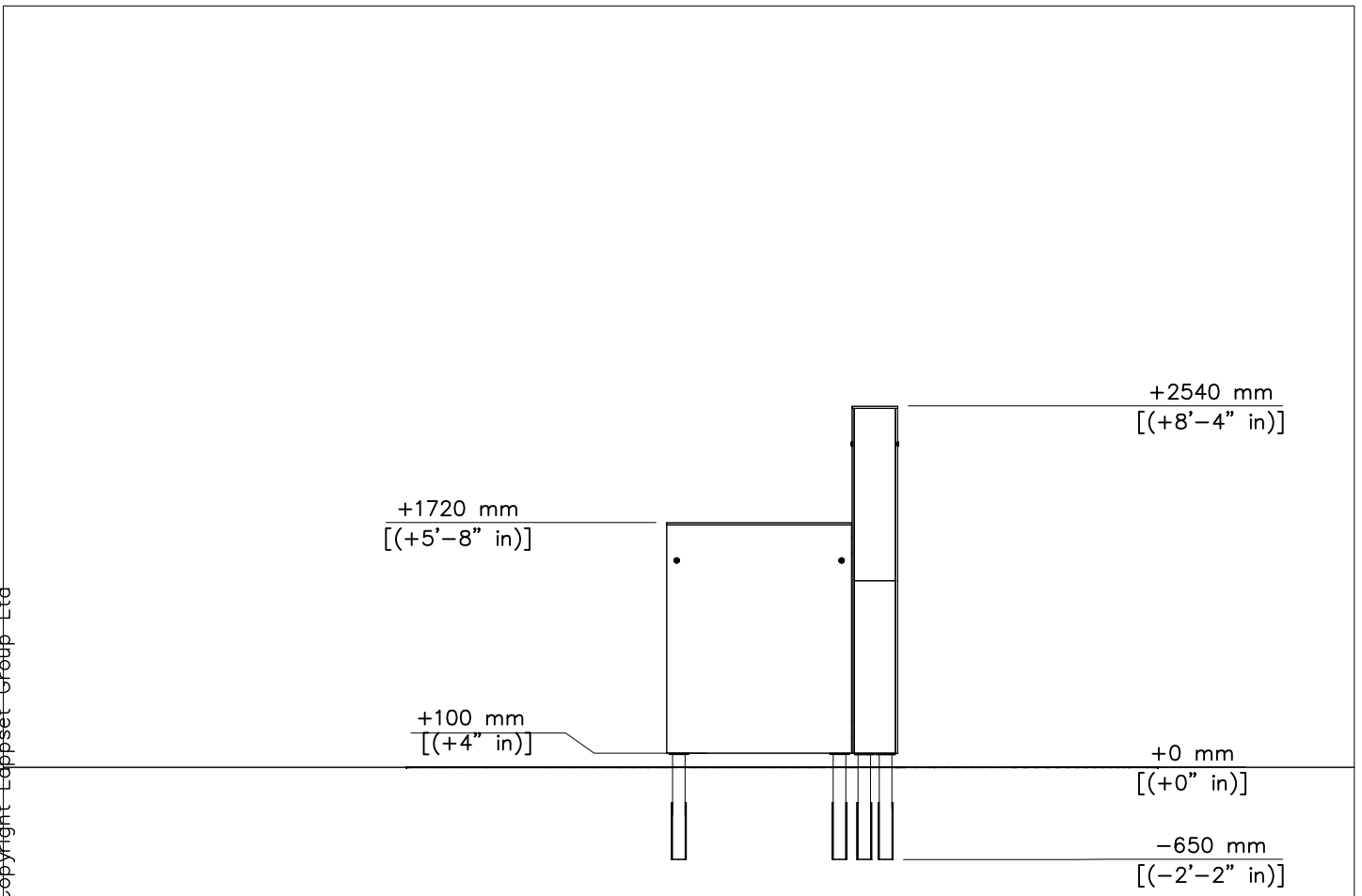
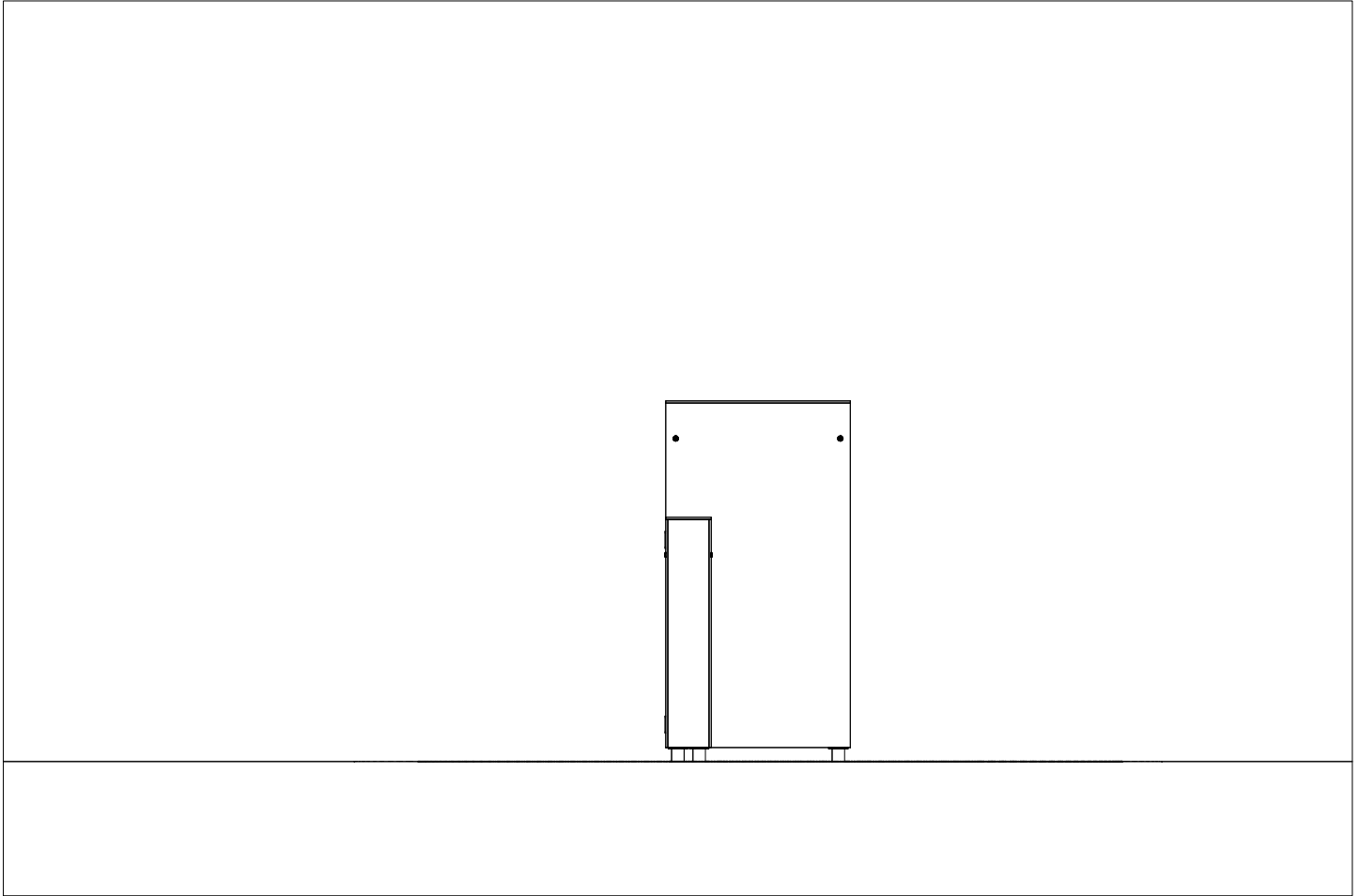


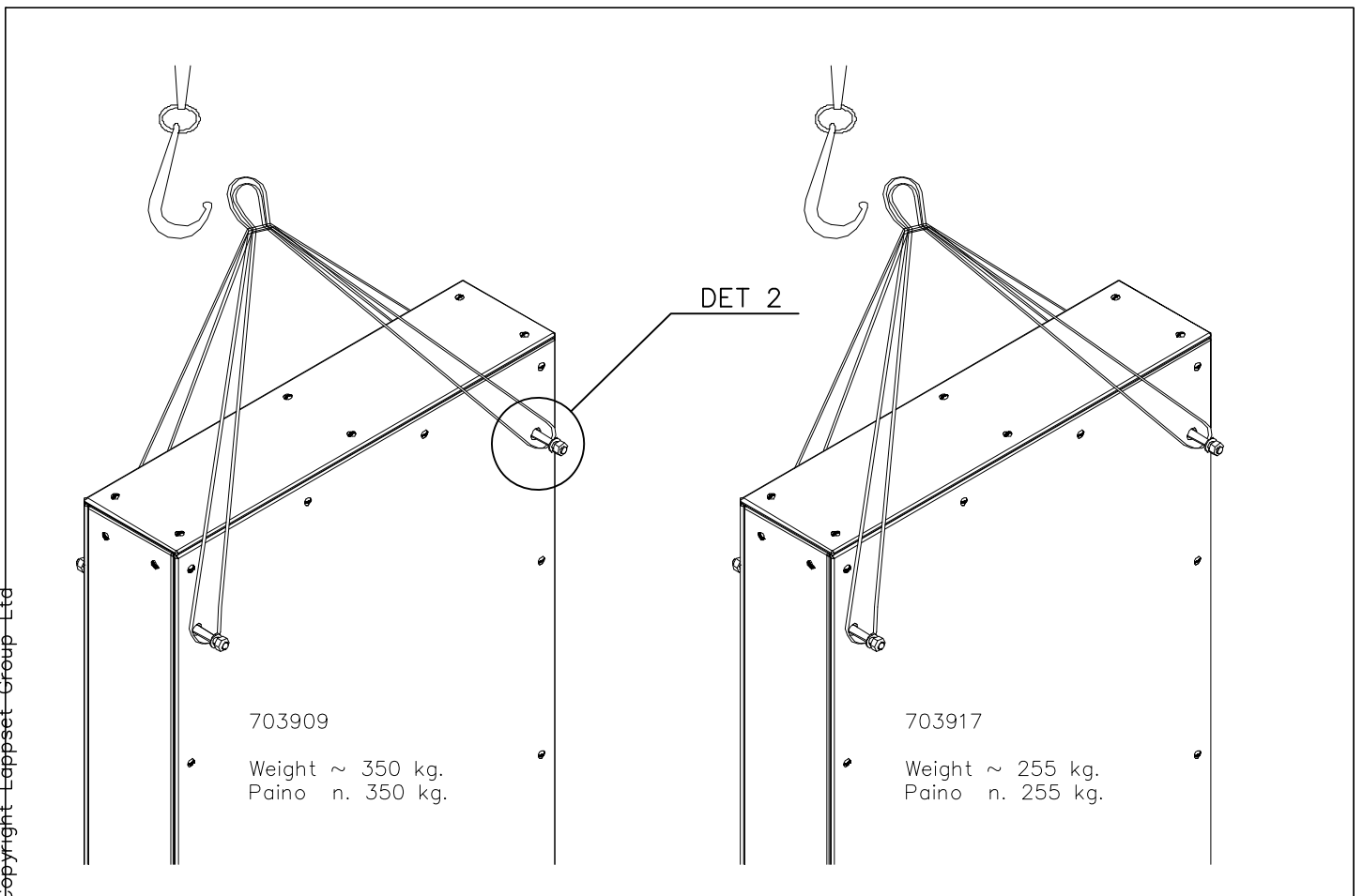
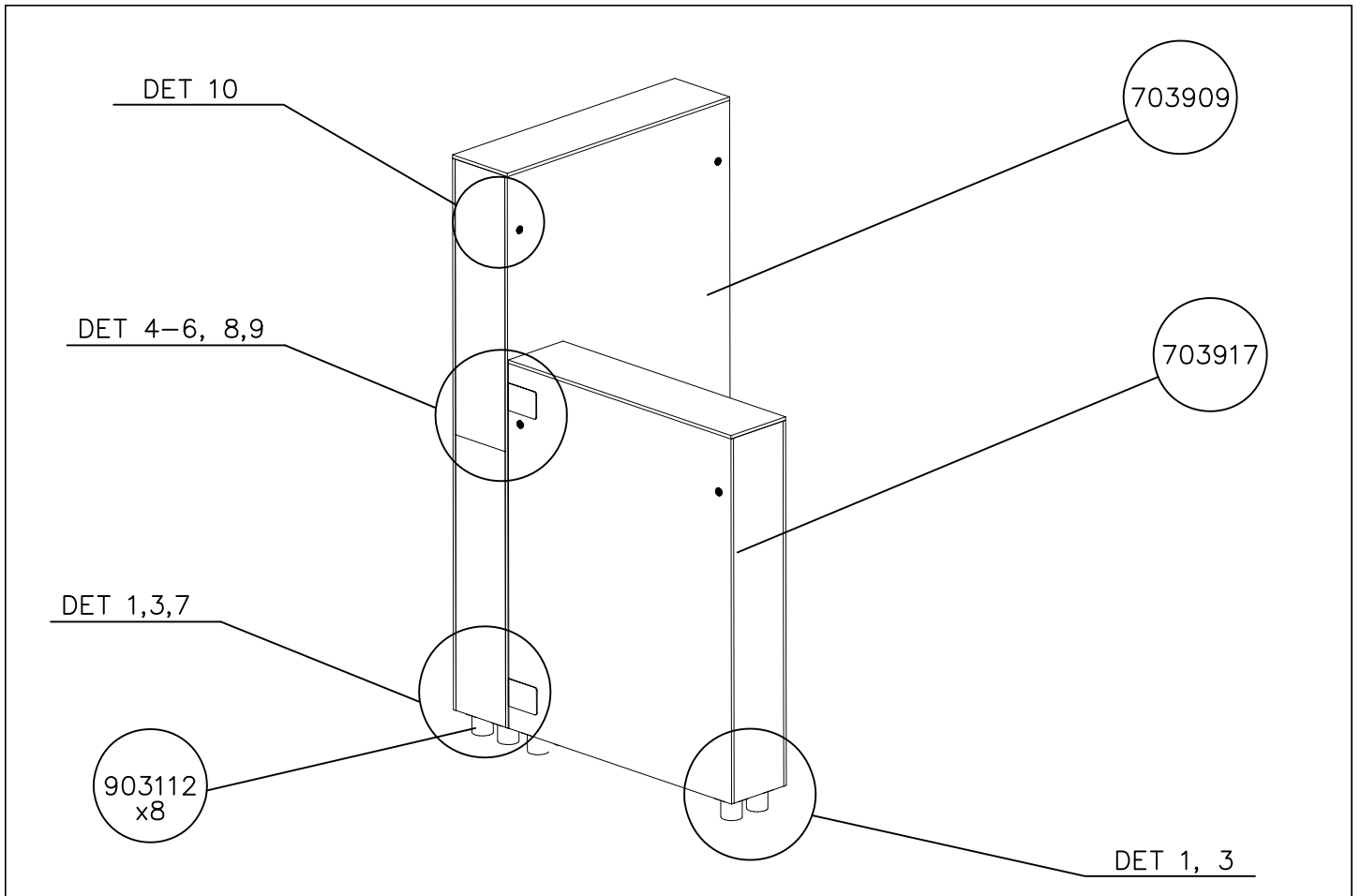
EN Impact Area 24.7 m² (258 sq ft)

Falling Space 24.7 m² (258 sq ft)

Max Falling Height 2540 mm (8'-4" in)

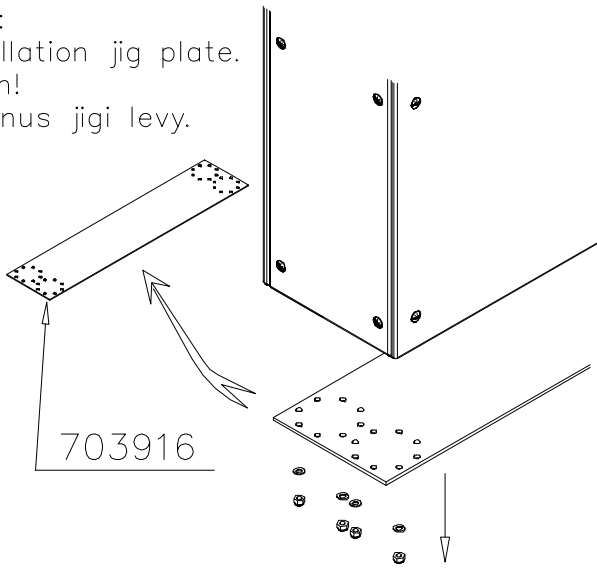






DET 1

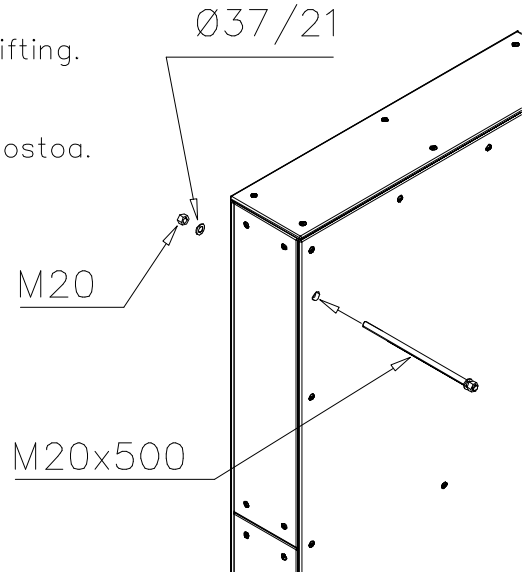
Note:
 Installation jig plate.
 Huom!
 Asennus jigilevy.



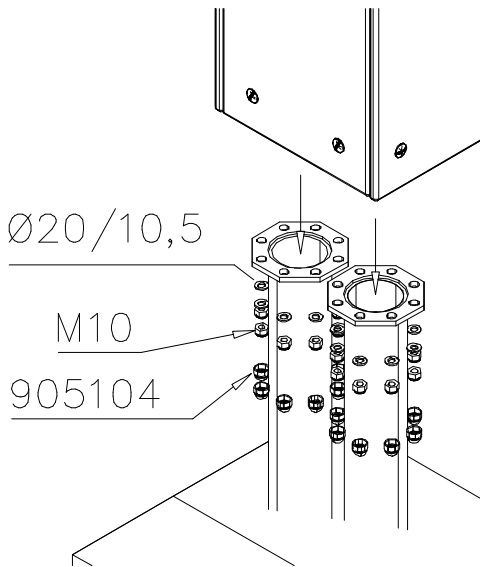
DET 2

Note:
 Before lifting.

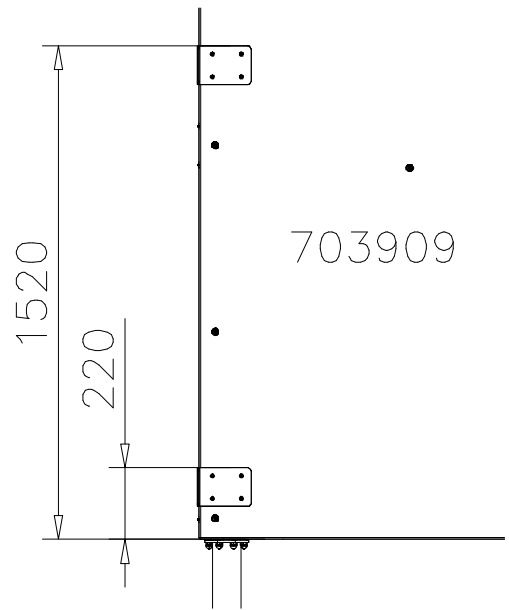
Huom!
 Ennen nostoa.



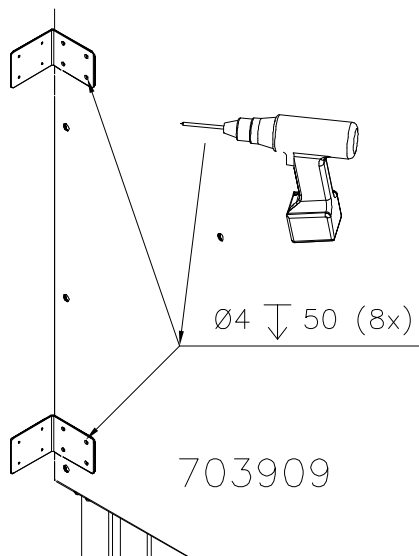
DET 3



DET 4



DET 5



DET 6

