

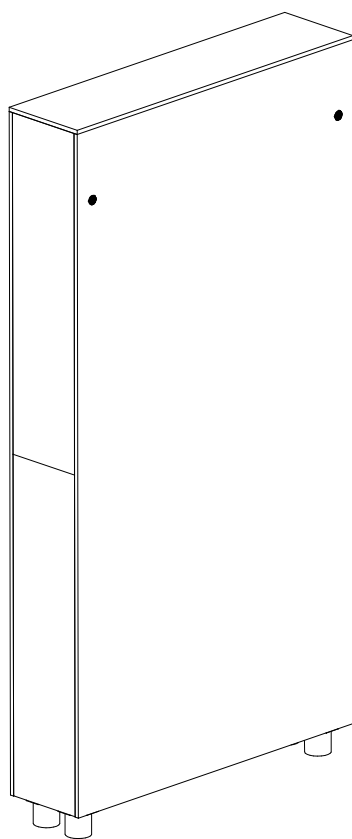
# **LAPPSET®**

## **PARKOUR**


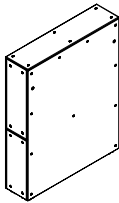

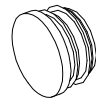
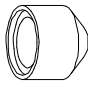
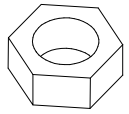
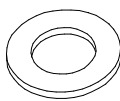

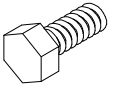
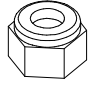
ASENNUSOHJE  
MONTERINGSANSVISNING  
INSTALLATION INSTRUCTION  
AUFBAUANLEITUNG  
NOTICE D'INSTALLATION

DATE: 7.2.2013

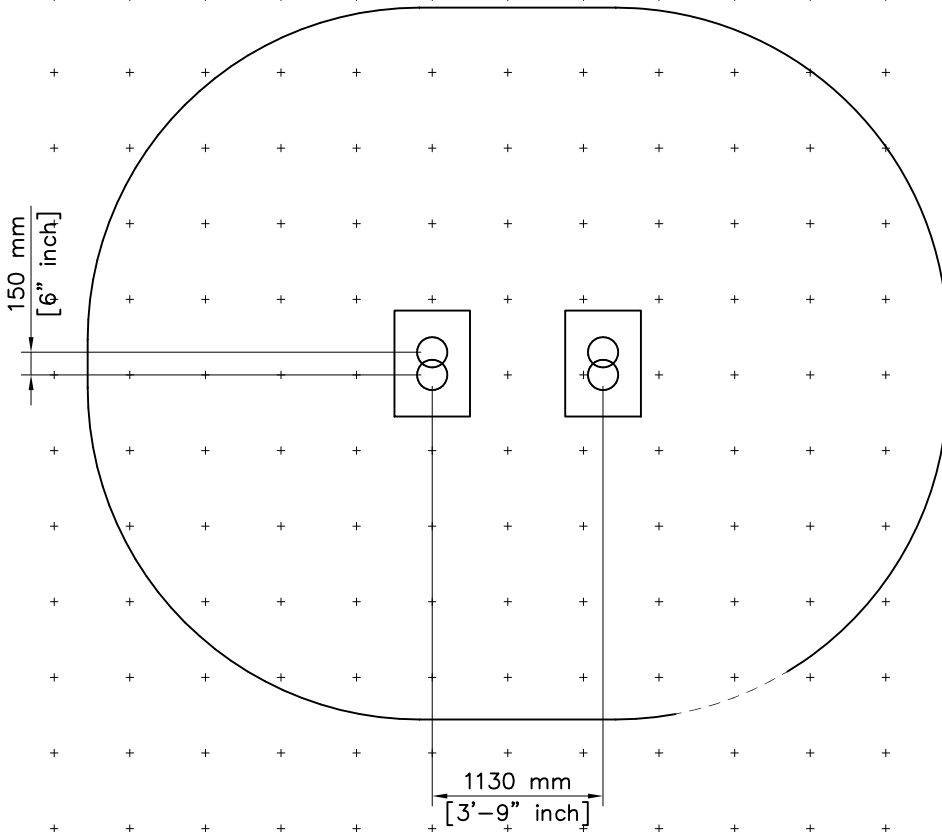
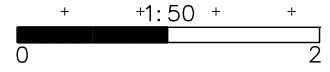
# **220566**

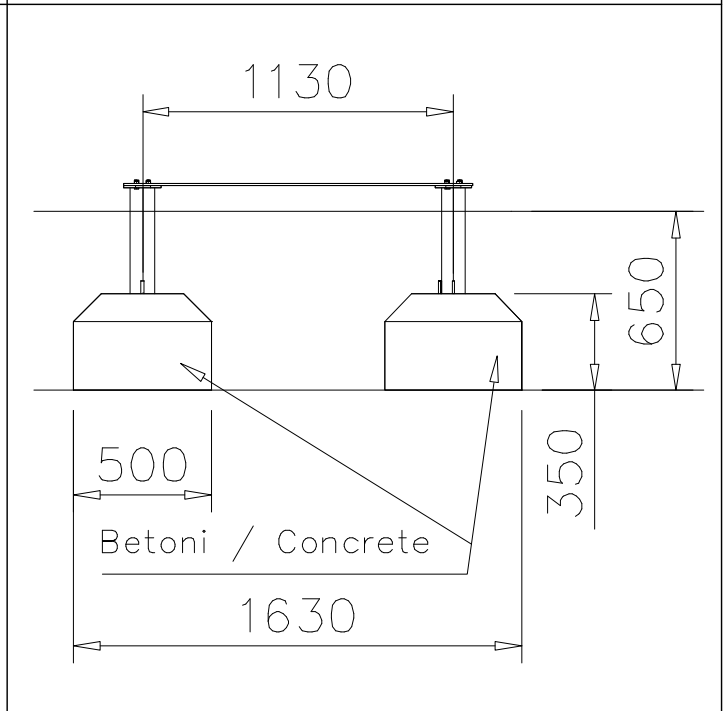
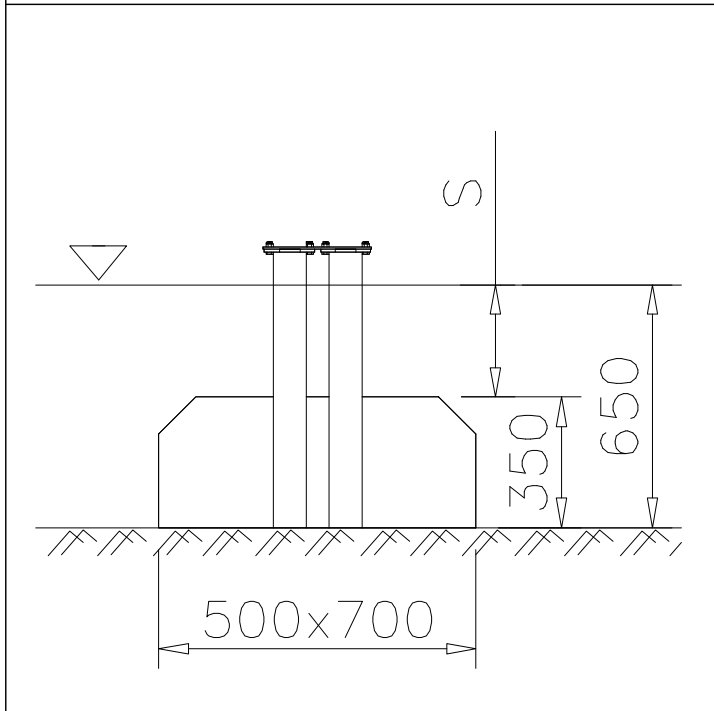
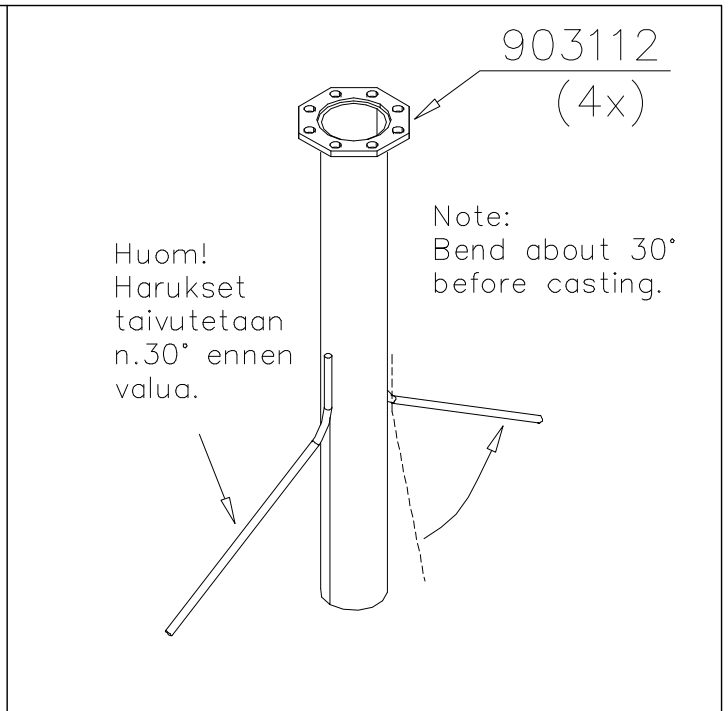
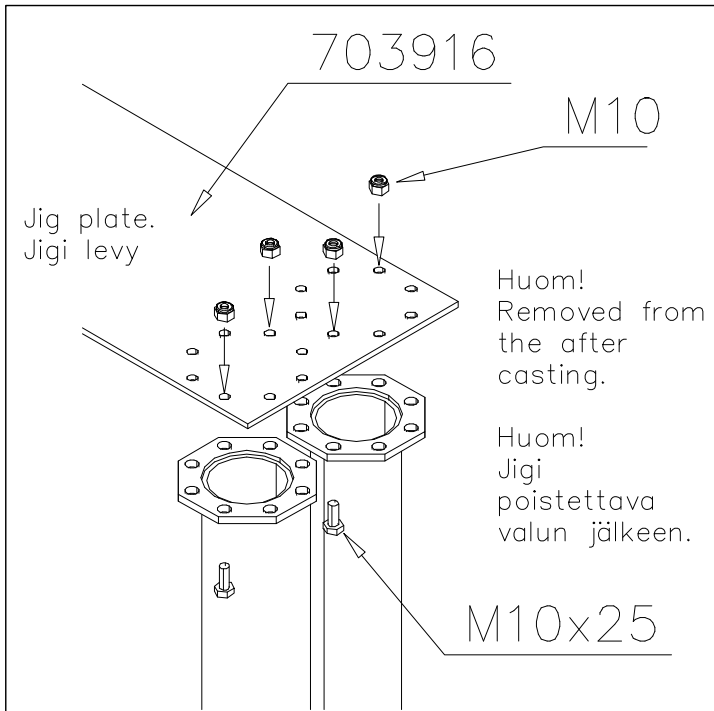


DATE: 7.2.2013

<p>702341</p>  <p>90x50</p>	<p>PCS</p> <p>1</p>	<p>703909</p>  <p>320x1300x2440</p>	<p>PCS</p> <p>1</p>	<p>903112</p>  <p>750</p>	<p>PCS</p> <p>4</p>	<p>905067</p>  <p>S35H</p>	<p>PCS</p> <p>4</p>	<p>905104</p>  <p>M10</p>	<p>PCS</p> <p>32</p>	<p>909858</p>  <p>M20</p>	<p>PCS</p> <p>4</p>
<p>909859</p>  <p>Ø37/21</p>	<p>PCS</p> <p>4</p>	<p>909860</p>  <p>M20x500</p>	<p>PCS</p> <p>2</p>	<p>909639</p>  <p>M10x12</p>	<p>PCS</p> <p>8</p>	<p>909637</p>  <p>M10</p>	<p>PCS</p> <p>8</p>		<p>PCS</p>		<p>PCS</p>
	PCS		PCS		PCS		PCS		PCS		PCS
	PCS		PCS		PCS		PCS		PCS		PCS
	PCS		PCS		PCS		PCS		PCS		PCS
	PCS		PCS		PCS		PCS		PCS		PCS

— EN Impact Area 22.6 m2 (243 sq ft)  
+ Grid size = 500mm (20" in)  
- - - Falling Space 22.6 m2 (243 sq ft)

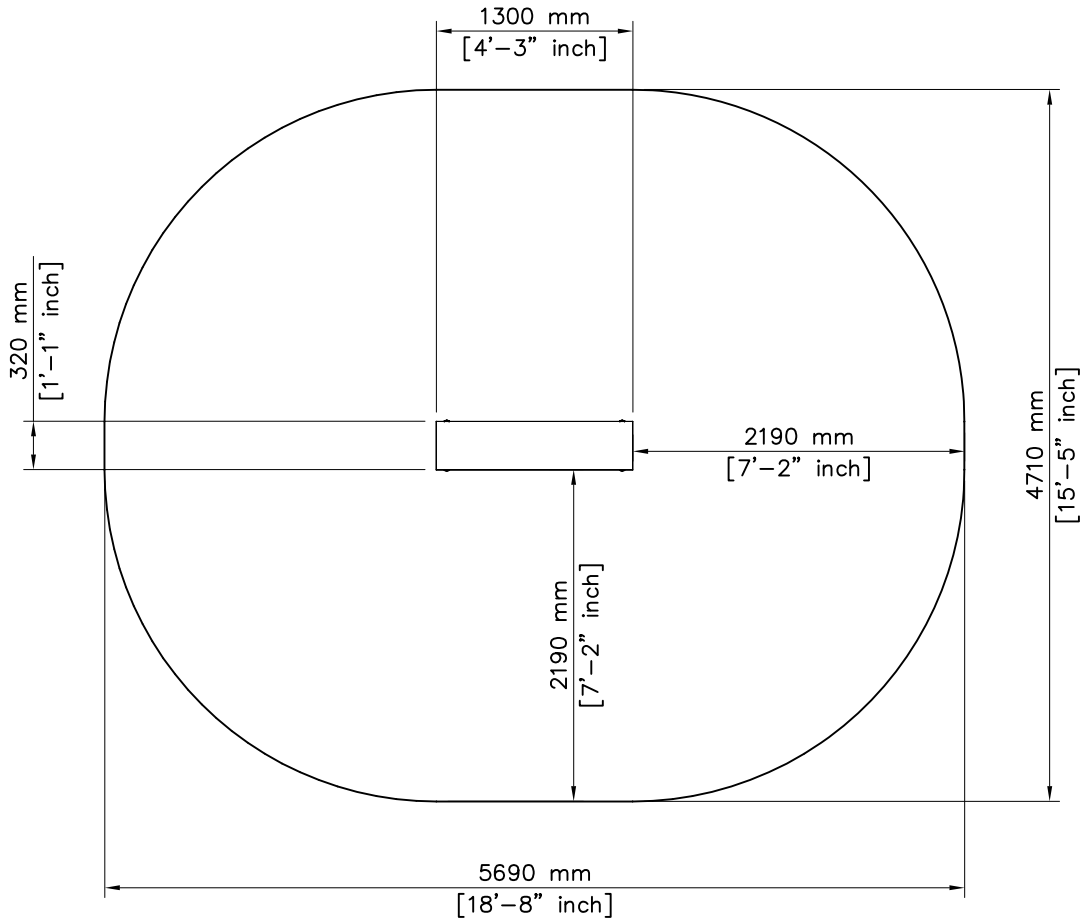
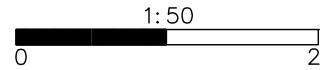


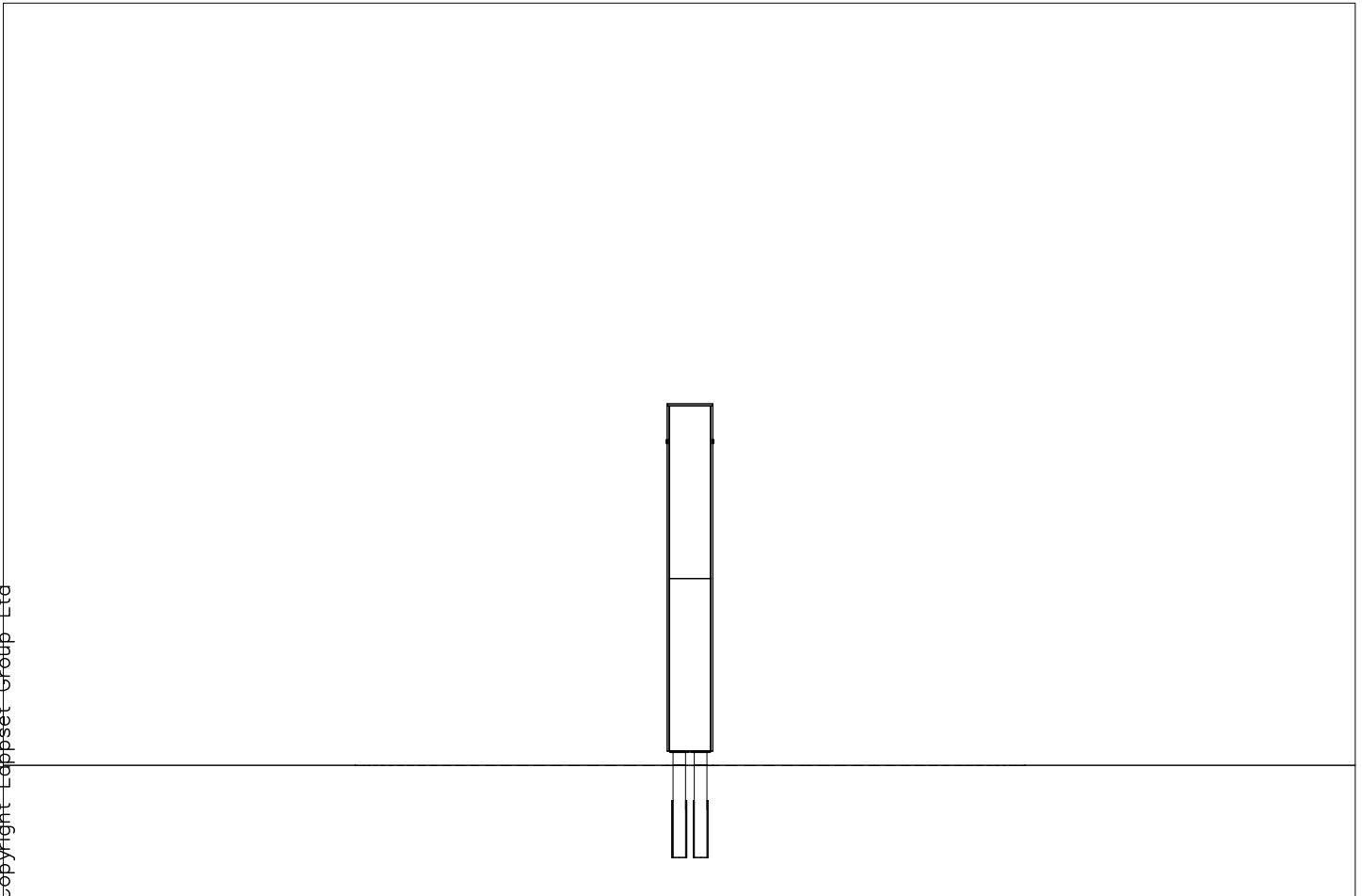
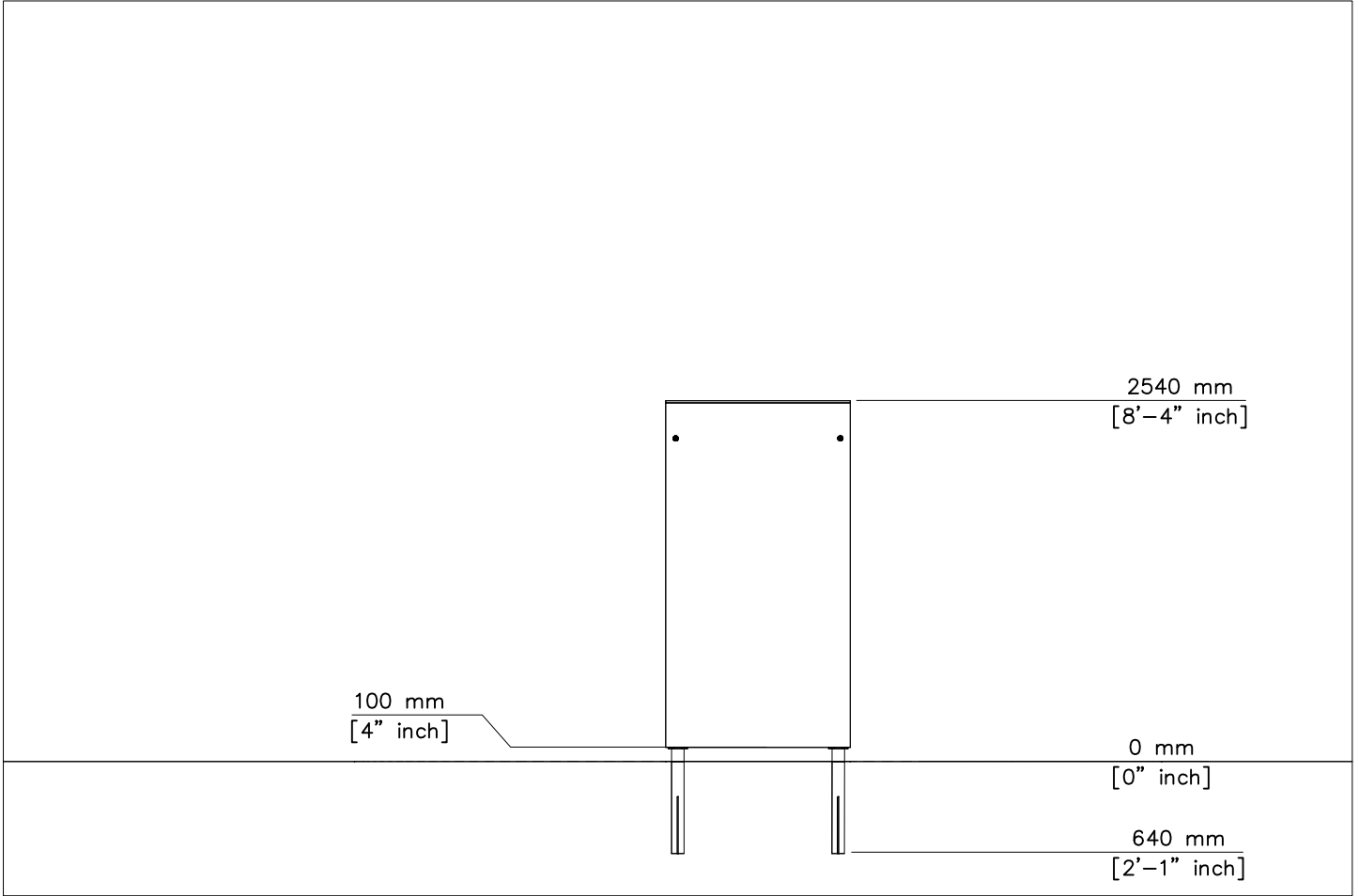


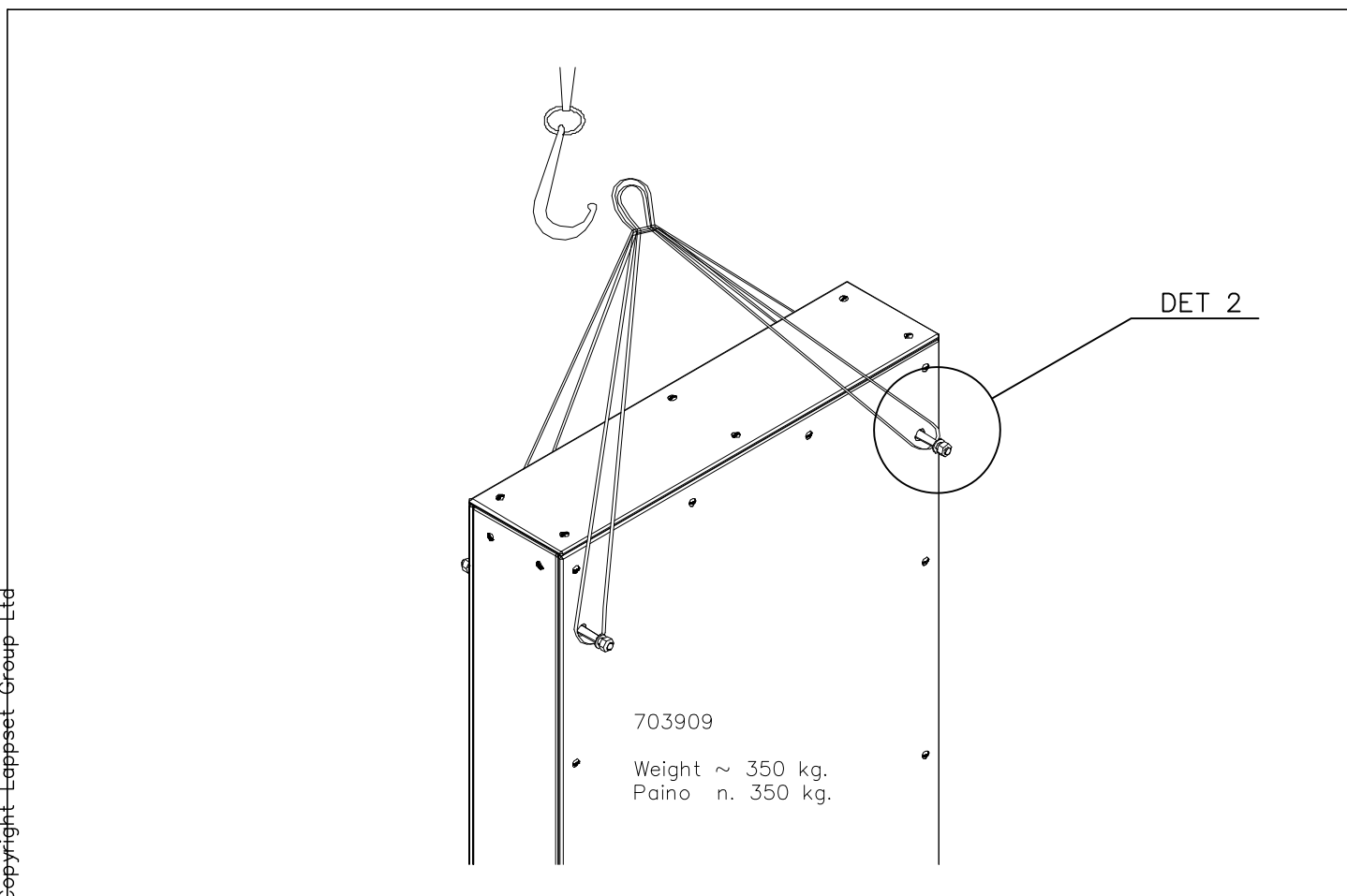
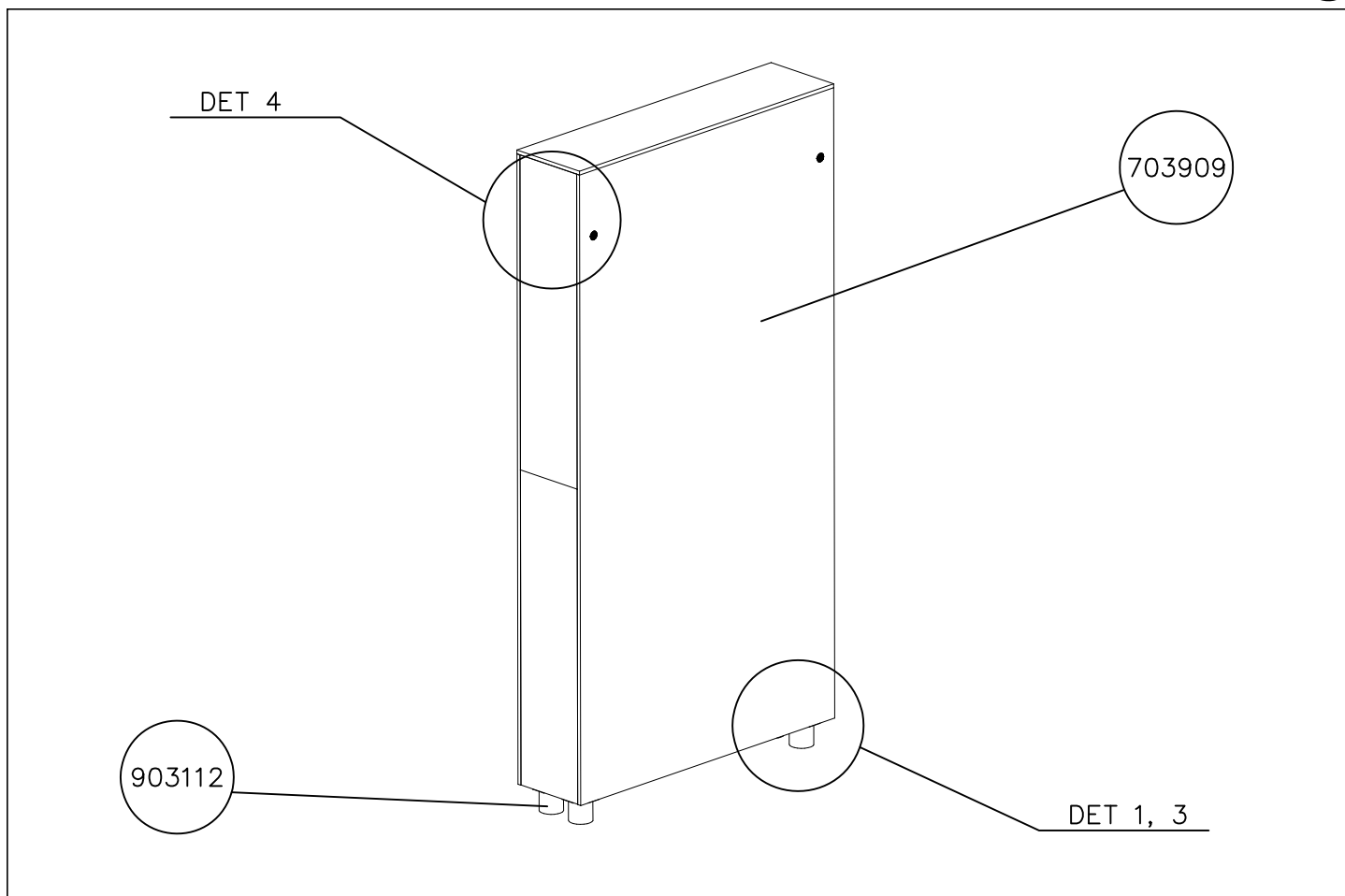
EN Impact Area 22.6 m<sup>2</sup> (243 sq ft)

Falling Space 22.6 m<sup>2</sup> (243 sq ft)

Max Falling Height 2540 mm (8'-4" in)



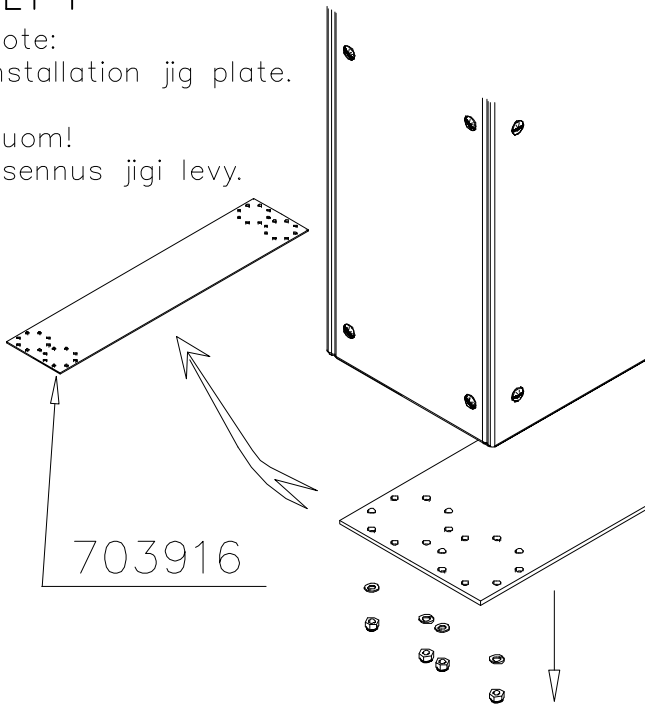




DET 1

Note:  
 Installation jig plate.

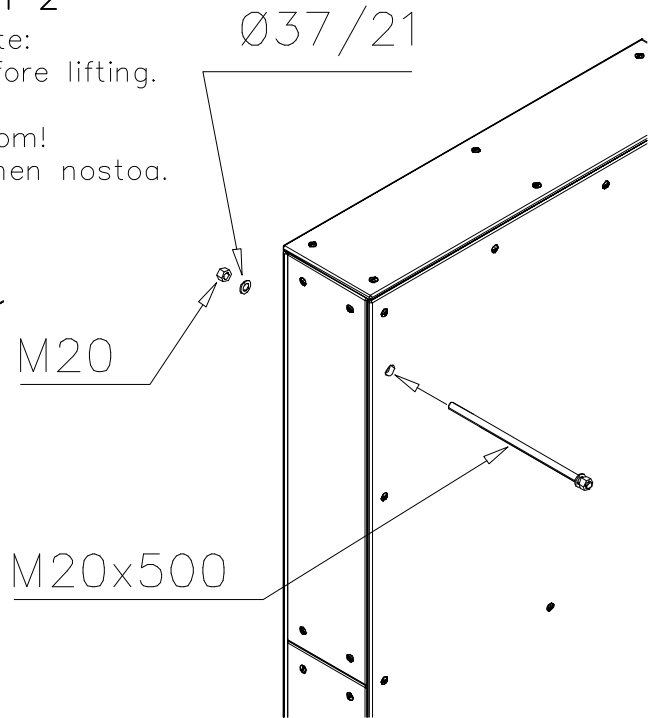
Huom!  
 Asennus jigi levy.



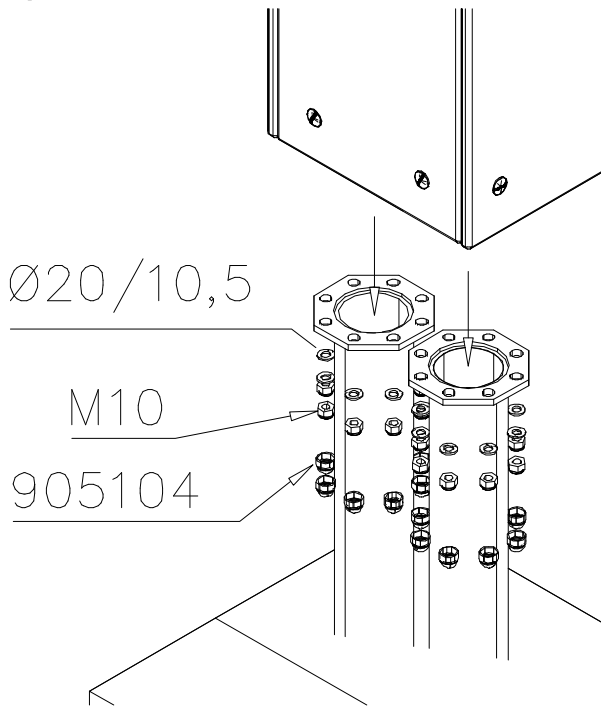
DET 2

Note:  
 Before lifting.

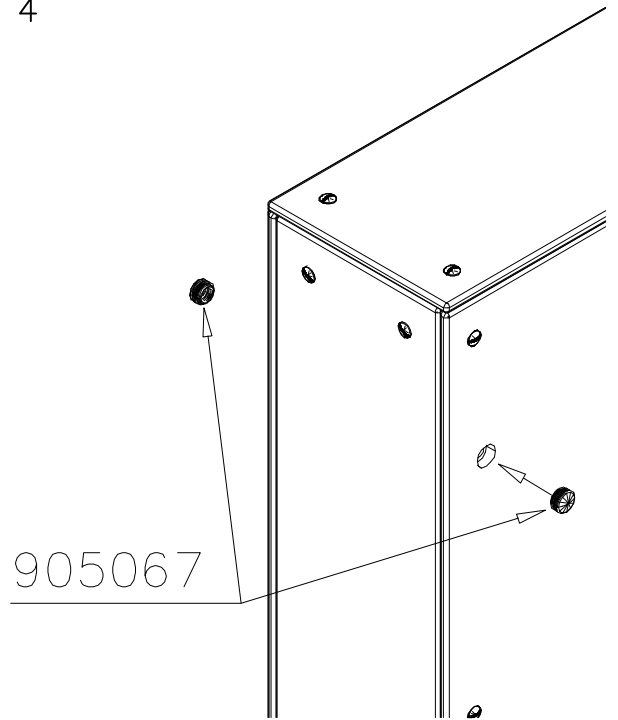
Huom!  
 Ennen nostoa.



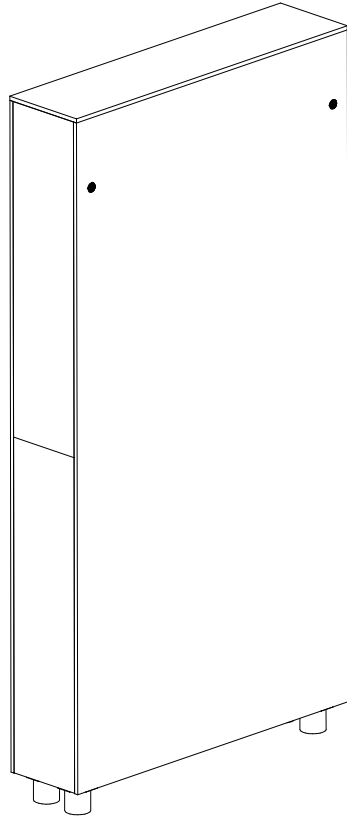
DET 3



DET 4







Max falling height.

